

2.4GHz Radio Control System

M17

Safe Handling of Radio and Precautions

In order to use the purchased radio properly and safely, please read this manual thoroughly and make sure to follow precautions. Improper use of the product or negligence of following safety precautions can cause inconvenience to others or harm to the user.

■ For safety, please make sure to follow each of the precautions below.

Before start using

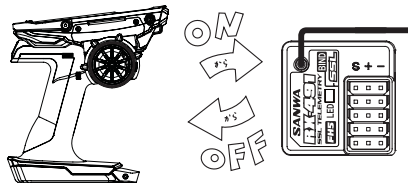


Warning

Precautions for Installation and Operation

● When turning ON the power switch of radio, please turn on in the order of ① Transmitter → ② Receiver. When turning the power switch OFF, please do so in the order of ① Receiver → ② Transmitter.

☆ If you reverse the order of the switches, it would cause sudden high rotation of the engine and the motor, which is extremely dangerous.

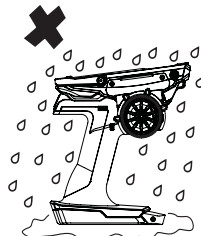


● Please use noise reduction measures on the body of your car.

☆ If metals rub against each other, electrical noise (noise) will be generated and since it will cause abnormal performance, please check that the screw and nut are not loose.

☆ Gasoline engines, motors can also cause noise. Please use a noise reduction measure such as resistive plug with resistor or noise killer condenser.

● Please make sure to run a performance check of the radio (a signal reception test) before the operation. Do not operate it if it is moving abnormally or does not move. Even if the test result on the desk is normal, since the radio wave arrival distance while operating varies depending on the installation method of the receiver, how the antenna is set, the direction of the antenna of the transmitter and geography, please be careful when operating for the first time.



● Never operate on rainy days.

☆ The interior of the transmitter is built with minute delicate electronic parts. If water runs on the surface of the case and enters inside, it can cause abnormal performance or immobility and it can be dangerous.

☆ If the receiver or servo sinks in the water, immediately collect it and dry the interior. When the interior is dry, please submit it to the Sanwa Service for inspection even if it performs normally.

● The receiver is a precise instrument. Please do not cause a strong impact or vibration.

☆ Use a thick sponge to prevent vibrations.

● Install the receiver away from the speed controller, motor and the battery.

● When installing the receiver on a metallic chassis or a carbon chassis, use three layers of double adhesive tape pieces to prevent the receiver from touching the chassis.

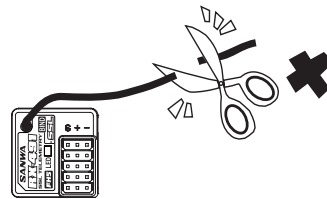
● When there is a radio disturbance, change the installation location of the receiver or change from a vertical placement to a horizontal placement or vice versa.

● Do not place a motor cord or a battery cord close to the receiver since it can cause abnormal performance.

● Keep the antenna of the receiver out as much as possible. In addition, keep it straight and stretched. Do not cut the extra length of the line or bend it.

☆ It is dangerous when the antenna is short circuited since the operating range becomes short.

☆ Never cut the antenna.



● Do not place the antenna close to a motor cord or a battery cord.

● Using a conductive piano wire on a metallic chassis or carbon chassis can cause abnormal performance from electrical noise. Do not place a piano wire close to the chassis.

! Caution Careful When Driving

When operating RC car etc., be sure to observe the following and be careful not to disturb other people:

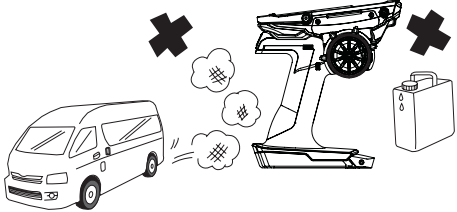
- Maintain the car body (chassis) perfectly and check the safety.
- Do not ever run RC car in crowds and roads.
- Always disconnect the power battery connector after running and remove the power battery from the car body.
- In the case of simultaneous running, be sure to determine the controller and follow the instructions.
- Be careful not to disturb the running of other people.
- Be sure to join the RC insurance. Inquire at the radio control pilot registration agency for application for radio control insurance.
- Be sure to add "muffler" (silencer) to the engine that has a silencing effect.
- Avoid starting the engine early in the morning.
- Be sure to clean the running place and then return.

! Caution About Usage

- Do not put to use other than the purpose of model.
- Since this product is manufactured for models based on the Radio Law in each country, it cannot be used in countries other than your original place of purchase.

! Caution Daily Care

- When the exhaust of the engine or fuel is on the radio, wipe it with a soft, dry cloth. When it gets dirty, please wipe it with a tightly squeezed clean soft cloth impregnated with water or neutral detergent. Thinner, benzene, alcohol, motor cleaner, brake cleaner, etc. may cause surface finish to deteriorate or degenerate, so please do not use.

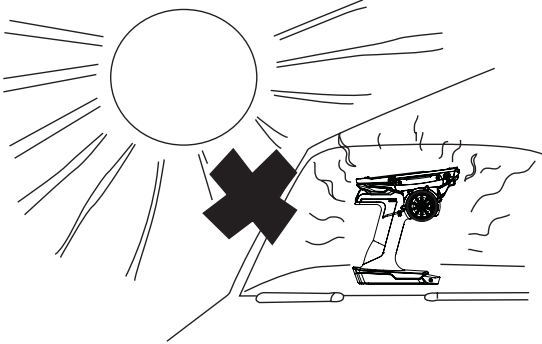


! Caution About Handling Transmitter

- Please do not hit, drop or cause strong shocks. In addition, if you touch the transmitter, receiver, servo, FET speed controller, etc. with hands applied with tire traction agent, it will cause breakdown or case deformation.

! Caution About Storage

- Do not store in following places.
 - ☆ Extremely hot place or extremely cold place.
 - ☆ A place that is exposed to direct sunlight for a long time. Especially if you leave it in a place where direct sunlight hits like in a closed car window, the interior temperature becomes 80 0 C or more depending on the season, so please be careful as it may cause deformation or breakdown.
 - ☆ A place with high humidity, poor ventilation.
 - ☆ A place with considerable vibrations.
 - ☆ Places with high dust places subjected to steam or hot air.
 - ☆ A place that gets exhaust gas from an engine or a place near the fuel tank.



Meaning of the Marks	! Warning	Things you are expected to do to prevent accidents and injuries.
	! Caution	Things that you should follow in order to prevent break down.

Safe Handling of Radio and Precautions



Warning Note Precautions for Safe Use

- 2.4GHz frequency band is not only used for radio control. This frequency band is shared with ISM (Industrial, Scientific and Medical) band. In urban areas, it can be affected by microwave oven, wireless LAN, digital cordless telephone, audio equipment, Bluetooth of game machine or cell phones, and short-range communication such as VICS. Moreover, be careful about being affected by amateur radio and premises radio station for moving body identification, since this frequency band is used for them as well. When harmful radio wave interference is provided to existing radio station, immediately stop the transmission of radio frequency and take measures to avoid the interference.
- For RC circuit, minimise the use of equipment that can affect 2.4GHz system and make sure to check the safety beforehand. Moreover, follow the instructions given by the facility manager.
- When it is to be operated behind the building or steel lower, blocking the direction of radio wave transmission can cause reduction of manoeuvring response or manoeuvring ability. Therefore, always operate within the range that you can visually check.
- Do not attach any metal parts like clip etc. to the built-in part of transmitter antenna.
- If the built-in part of transmitter antenna is extremely close to a servo or speed controller other than the receiver, it can cause malfunction. However, it is an influence of a strong high frequency output and it is not abnormal.
- The receiver is a precise instrument. Do not subject it to strong impact or vibrations. Use the thick sponge to prevent vibrations.
- Keep the antenna wire of the receiver out as much as possible, keep it straight, and stretched. Do not cut or bend the extra length of the antenna line.
- Do not place the antenna wire of the receiver close to noise source like motor code or battery code.
- When installing the receiver on a metallic chassis or a carbon chassis, use by layering with double-sided tape to keep the receiver away from the chassis as much as possible.

INDEX

- Structure and Standard of Set 6
- Before Using 7~13
- About Connection and Loading of Receiver 14, 15
- Name of Various Parts of Transmitter 16, 17
- How to use each feature 18

- OPERATION OF TOUCH PAD (18)
- DISPLAY PANEL (19)
- POWER SUPPLY FORGET ALARM (19)
- MENU STRUCTURE (20)
- LAUNCHER (21 - 23)
 - DIRECT MODEL (21)
 - QUICK SETUP WIZARD (22)
 - RX MODE (23)
- SETTING (24 - 43)
 - DUAL RATE [D/R] (24)
 - SPEED (25 - 27)
 - CURVE (28 - 33)
 - FAIL SAFE [F/S] (34)
 - BASE (35 - 37)
 - TRIM (38 - 40)
 - FEELING (41)
 - THROTTLE TYPE [TH TYPE] (41)
 - ANTI-LOCK BRAKE [ALB] (42)
 - OFFSET (43)
- AUX (44 - 49)
 - STEP AUX (44)
 - POINT AUX (44)
 - 4WS-MIXING (45)
 - MOA-MIXING (46)
 - BR-MIXING (46)
 - DUAL STEERING (47)
 - BOAT (48)
 - CODE AUX (49)
- MIXING (50 - 53)
 - C-MIX1 ~ 5 (50, 51)
 - TANK (52)
 - LIMITER (53)
- TIMER (54 - 59)
 - SETUP (55)
 - LAP TIMER (56)
 - INTERVAL TIMER (57)
 - DOWN TIMER (58)
 - RACING MODE FUNCTION (59)

- TELEMETRY (60 - 71)
 - LOG DATA (61 - 66)
 - TELEMETRY SETTING (67)
 - GRAPH SETTING (68)
 - TELEMETRY SWITCH (68)
 - TELEMETRY MIXING (69)
 - RX MODE (70, 71)
- MODEL (72-78)
 - MODEL SELECT (72)
 - MODEL NAME (73)
 - MODEL COPY (74-75)
 - MODEL CLEAR (76)
 - MODEL MOVE (77)
 - R-MODE COPY (78)
- SYSTEM (79-98)
 - BIND (79 - 81)
 - KEY ASSIGN (82, 83)
 - CUSTOM LIST (84)
 - AUX TYPE (85)
 - RACING MODE (86)
 - SERVO MONITOR (87)
 - BATTERY (88)
 - SOUND (89)
 - LCD (90)
 - LED (91)
 - CLOCK (92)
 - CALIBRATION (93)
 - TOUCHPAD (94)
 - USERNAME (95)
 - SETUP (96)
 - SD CARD (97)
 - FACTORY-RESET (98)

- List of Assign Functions 99
- Index 100
- Trouble Shooting 102

Structure and Standard of Set

Structure of Set

	PC, primary components
<A>Transmitter	M17
Receiver	M17
<C>Servo	—
<D>Accessories	Strap hook x 1 Large steering wheel x 1 Spring [Super soft (SS) / soft (S) / medium (M) / hard (H)] x 1 each Steering swing spacer [R/L/ x 1 each Trigger angle spacer x 2 Brake trigger [+1 / +2] x 1 each Grip pad [Small (S) / large (L)] x 1 each Li Po battery for transmitter (LP1 2500) x 1 BIND plug x 1 Dust cover for receiver x 1 User manual x 1

●Check contents of the set before use.

Standard of Set

<A>Transmitter	
Model	TX-481
Output display	Digital / analogue display (power supply voltage display)
Modulation system	2.4 GHz spectrum spread system
Power supply	Li-Po1 cell (corresponding voltage DC 2.7 ~ 4.2V)
Weight	510 g

Receiver	
Model	RX-491
Modulation system	2.4 GHz spectrum spread system
Dimensions	23.0x23.2x14.0mm
Power supply	DC3.7~7.4V
Weight	5.3 g

※ Check input voltage. The transmitter gets severely damaged if a voltage above permitted voltage is input.

Before Using

About Power Supply

- Carefully read the following charging method and points of caution for correct and safe use.
- Always charge before using.

Li-Po battery has many merits such as it has higher capacity than the conventional chargeable batteries, is lightweight and has low natural discharge. However, it deteriorates quickly if handled incorrectly and may produce smoke and catch fire. Always observe the following points of caution and use safely.

1. Do not ever short plus and minus terminals. (There is fear of smoking, catching fire if shorted.)
2. Do not charge by connecting the charger to the Z connector that connects to the transmitter main body.
3. Do not ever dismantle battery or reconstruct connector.
4. Do not use if battery main body or insulation of cable is damaged.
5. When removing the battery from the transmitter main body, always pull by holding the connector.
6. Discontinue use and immediately charge when the battery voltage lowers below 3.3 V.
7. This product has an in-built charging circuit with charging current of 800 mAh. In case of charging, use USB AC adapter having output above 5V 1000 mAh. At the time of connecting, carefully connect on the side of micro USB connector.
8. At the time of charging, always switch OFF the power supply of propo and charge.
9. Do not store in a place that receives direct sunlight for a long period. If kept in a place that receives direct sunlight inside a car with closed windows, the temperature inside the car goes above 80° C depending on the season and may cause deformation or failure.
10. In case of storing for a long period, take out from the transmitter and store. Store in a dark place by keeping in a safety bag. Charge the battery about 50 % once in 3 months.
11. Do not store with battery and USB AC adapter in a connected state.
12. If used in the over-discharged state (below 3.3 V), battery rapidly deteriorates and expands. Discontinue use of the swollen battery immediately.
13. Dispose of the deteriorated battery as per local rules.

※ At the time of inserting into the transmitter, take care that lead wire of the battery does not get caught in the battery cover.

※ Overcharged battery not only gets damaged but also may cause burning, fire, injury, blindness due to abnormal heating, tearing, leakage etc.

※ Do not use the deformed or swollen battery.

※ Do not throw in such a manner that causes a strong impact.

About Charging of Transmitter Battery

- 1) Connect USB AC adapter to outlet plug of AC100V.
- 2) At the time of charging transmitter battery, open the connector cover of the transmitter and connect the micro USB connector to the battery.
- 3) Check that battery LED light that can be seen from battery port is turned on.
- 4) Charging completes when battery LED light changes to green. After complete charging, remove micro USB connector from the battery.

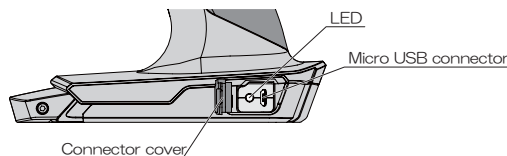
※ Compatible micro USB connector is [Micro-B].

※ After complete charging, remove USB AC adapter from AC 100V outlet plug.

※ Do not store with the charger connected to the battery.

※ If not using for a long period, charge the battery 50 % once in 3 months.

※ Micro USB connector for charging does not come as an accessory. This is to be purchased by the customer.



About Micro SD Card

● M17 is compatible with micro SD card. Use Sanwa genuine or card conforming to the same (micro SDHC class 6). Model data or telemetry data can be stored by the use of micro SD card. Firmware update becomes possible by the use of micro SD card when the firmware update of M17 is published. At the time of inserting the micro SD card, insert with the metal terminal surface on the upper side.

● Upon inserting the micro SD card, a folder named "M17" is created and a folder named "MODEL" is created in this folder and model data is stored in it.

Upon exporting the log data, a folder named "Log" is created and "csv" data is stored in this folder.

Before Using

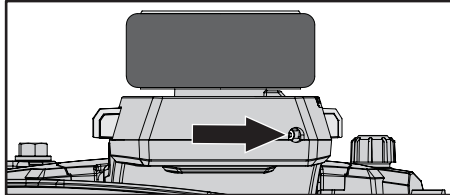
Design Adjustment of Steering and Throttle

In M17, not only can the design of steering / throttle trigger be adjusted but also details can be matched as per liking of the user based on adjustment of left-right driving position and steering swing, adjustment of trigger position, trigger angle, brake trigger by detachable throttle unit and fully adjustable trigger, replacement of spring of throttle trigger and replacement of grip pad.

Before start using

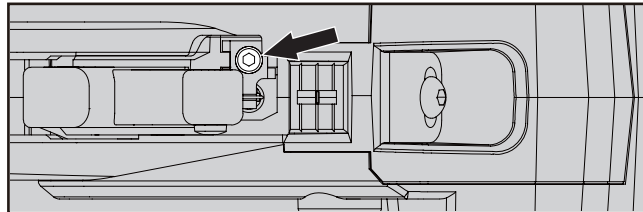
Design Adjustment of Steering

Spring position of steering can be adjusted by inserting a hexagonal wrench driver (1.5 mm) at the location shown by the arrow in the figure on the right and turning it.



Adjustment of Design of Throttle Trigger

Spring position of throttle trigger can be adjusted by inserting a hexagonal wrench driver (1.5 mm) at the location shown by the arrow in the figure on the right and turning it.

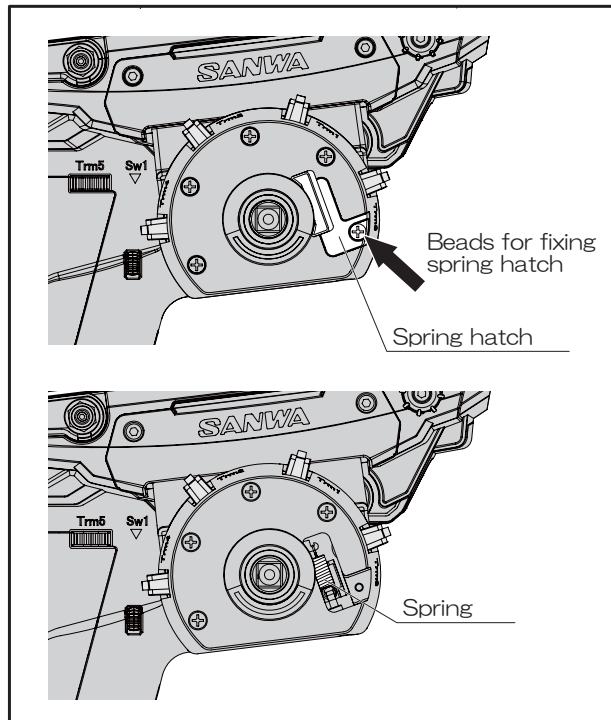


Replacement of Steering Spring

In M17, steering spring can be easily replaced. Replace with spring of your choice. At the time of shipping, steering spring becomes soft and it can be chosen from Super soft (SS) / medium (M) / hard (H).

- 1) Remove the steering wheel.
 - 2) Remove the beads for fixing spring hatch.
 - 3) Remove the spring hatch and replace with steering spring having a hardness of your choice.
 - 4) Attach the spring hatch and the beads for fixing.
 - 5) Fix the steering wheel.
- ※ Take care that the direction of the wheel adapter is correct.

※ About selection of spring
Hardness of the spring can be selected as per colour. Super soft (purple), soft (black), hard (blue) and normal is colourless.



Replacement of Throttle Spring

In M17, the replacement of steering as also the replacement of throttle spring is easy. Replace with the spring of your choice.

At the time of shipping, spring becomes soft and it can be chosen from super soft (SS) / medium (M) / hard (H).

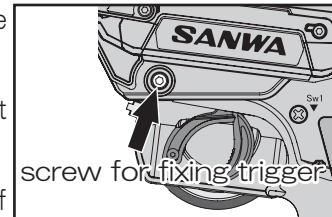
1) Remove the beads for fixing detachable throttle unit on the back side of the transmitter.

2) Pull out the detachable throttle unit from the transmitter. Also, pull out cable of the throttle unit at this time.

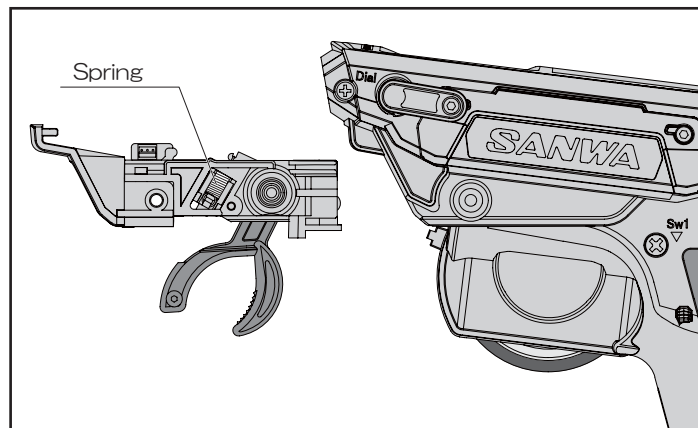
3) Replace the spring at the centre of the throttle unit with the spring of your choice.

4) After completing replacement of the spring, mount the detachable throttle unit onto the transmitter main body while housing the cable such that it does not entangle and fasten the fixing beads.

※ About selection of spring
Hardness of the spring can be selected as per colour. Super soft (purple), soft (black), hard (blue) and normal is colourless.



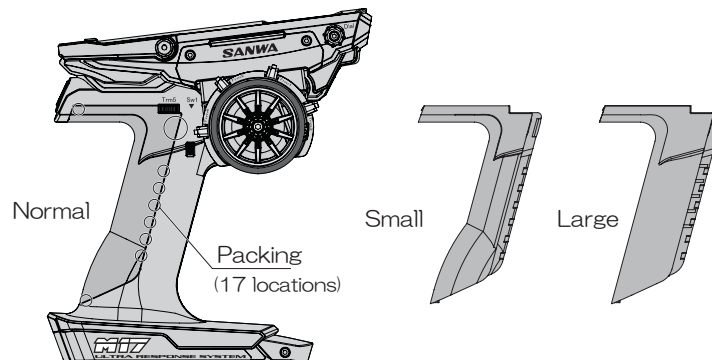
Before start using



Adjustment of Grip Pad

In M17, grip pad can be replaced. Replace the grip pad as per the size of the hand of the user. Grip pads are of 2 types namely small/large. (At the time of shipping, normal is mounted.)

Packing (17 locations) of the grip pad is locked to the grip part of the transmitter. Hence, do not pull it out.



Before Using

Before start using

Adjustment of Full Adjustable Trigger

Adjustment of Trigger Position

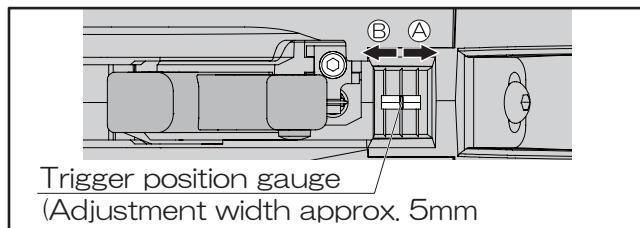
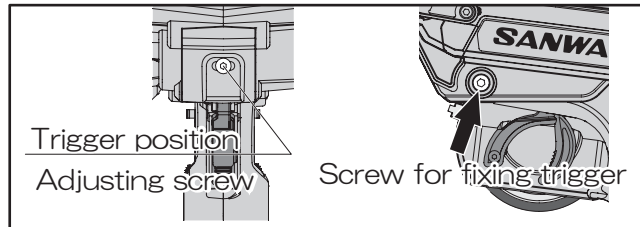
Loosen the screw for fixing trigger on the back side of the transmitter.

Next, adjust the screw for trigger position adjustment present on the side surface of the transmitter and set the trigger at the desired position.

The trigger position gauge moves to (A) direction on turning the screw for adjusting trigger position in (○) manner. It moves to (B) position on turning the screw for adjusting trigger position in (○) manner.

• The movement range of trigger is 5 mm. If the adjustment screw is turned exceeding the range, it may cause damage. Be careful.

After setting the position of the trigger, fasten the trigger fixing screw. This completes the adjustment of the trigger.



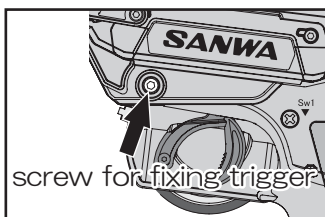
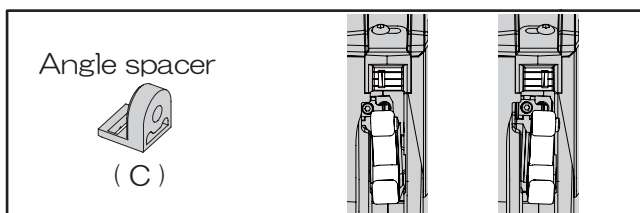
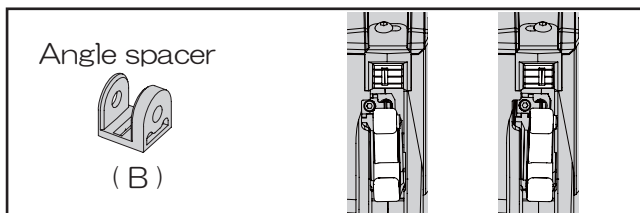
Adjustment of trigger angle

The angle of the throttle trigger can be adjusted in 5 stages by replacing angle spacer A/B/C.

1) Remove the screw for fixing trigger present on the back side of the transmitter.

2) Change the direction of the angle spacer such that easily operatable angle is set and adjust the angle.

3) After deciding the angle of the trigger, fix the screw for fixing the trigger present on the back side of the transmitter.



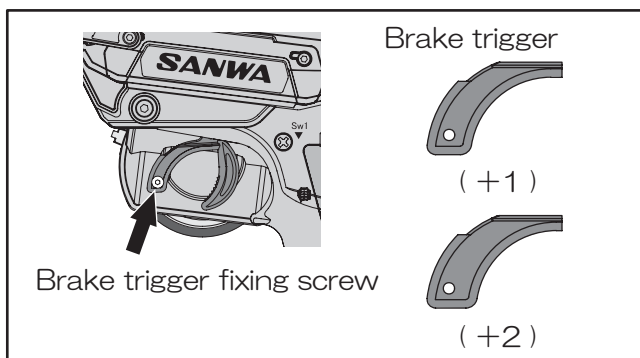
Adjustment of brake trigger

Grip tool can be adjusted as per the size of the hand or your choice by replacing brake trigger. Brake trigger can be chosen from 2 types namely +1 and +2 other than standard size mounted at the time of shipping.

1) Remove the brake trigger fixing screw present on the backside of the trigger.

2) Select the brake trigger as per the size of the hand or your choice.

3) After deciding the brake trigger to be used, fix by using the brake trigger fixing screw.

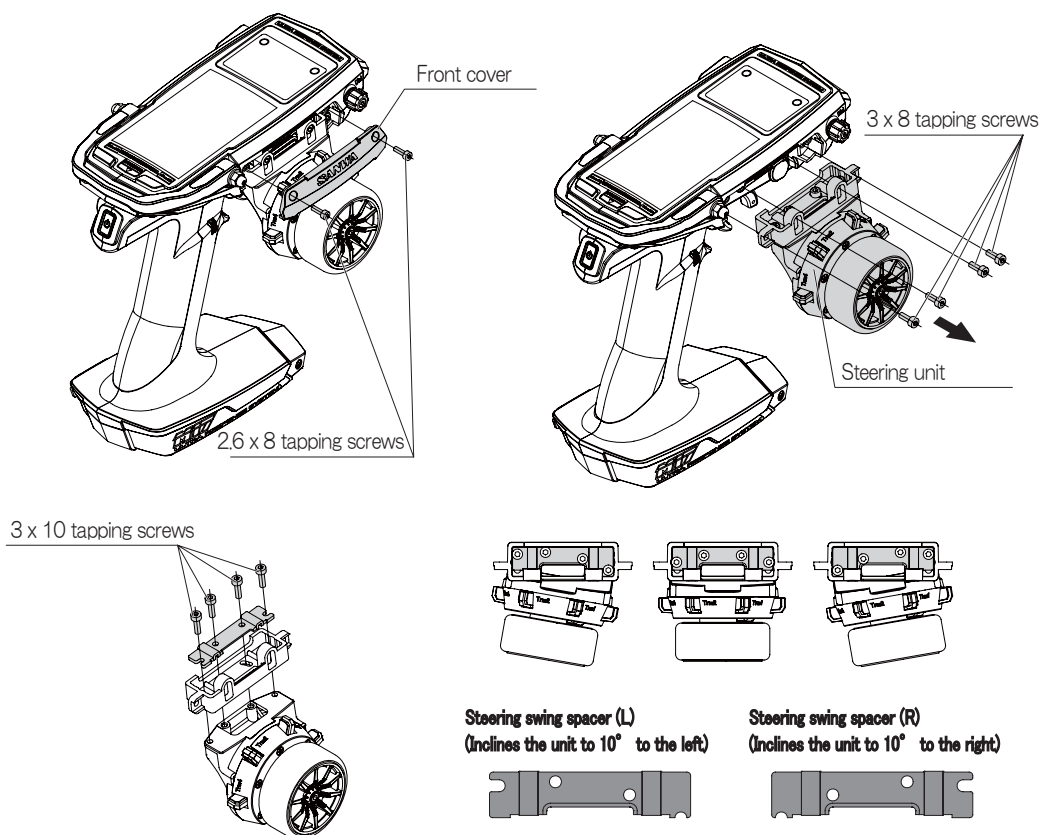


Adjustment of Driving Position

Adjustment of Steering Swing Spacer

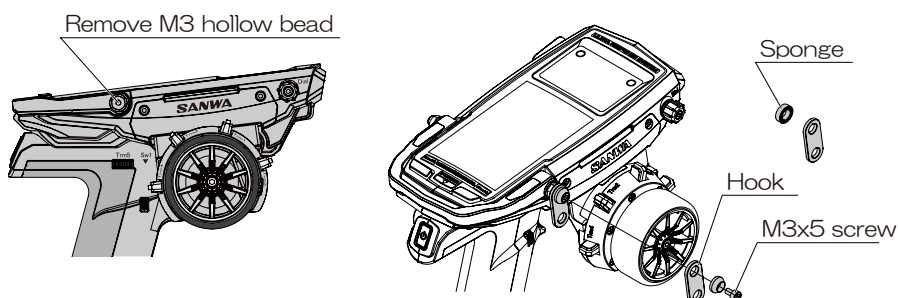
- The angle of the steering unit can be adjusted by using the steering swing spacer.
- 1) Remove 2 screws that fix the front cover and remove the front cover.
 - 2) Remove 4 screws that fix the steering unit.
 - 3) Remove the steering base from the steering unit and replace the steering swing spacer and fix the steering base to the steering unit.
 - 4) Fix the steering unit to the transmitter main body.
 - 5) Fix the front cover. This completes adjustment of steering swing spacer.

Before start using



About Strap Hook

- Remove M3 hollow bead of carrying handle nut tip and attach the provided strap hook.
- ※ If rattle sound of strap hook is noticed, paste the provided sponge to the hook and use.



Before start using

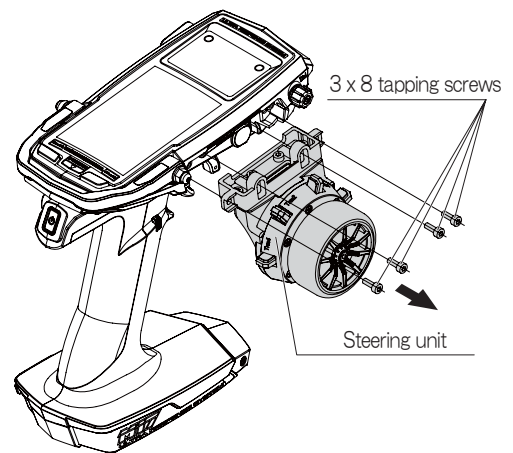
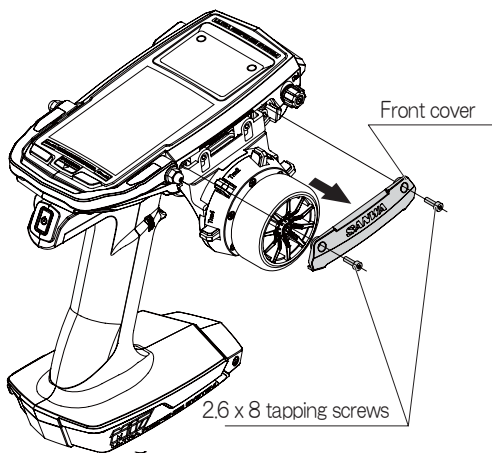
Adjustment of Left Right Driving Position

● If left handed, it is recommended to change left-right driving position.

1) Remove 2 screws that fix the front cover and remove the front cover.

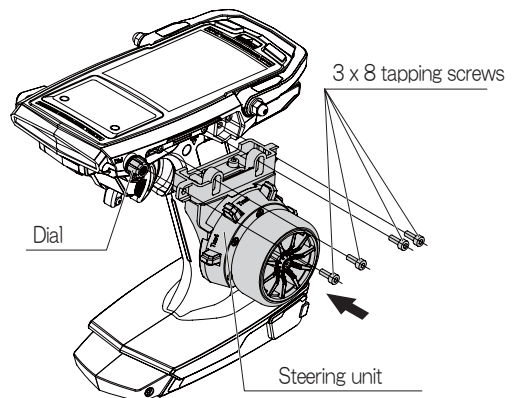
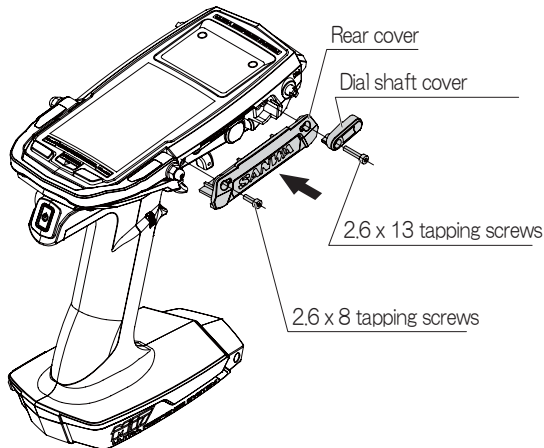
2) Remove 4 screws that fix the steering unit and remove the connector of steering unit and wiring of steering unit from the main body.

Before start using

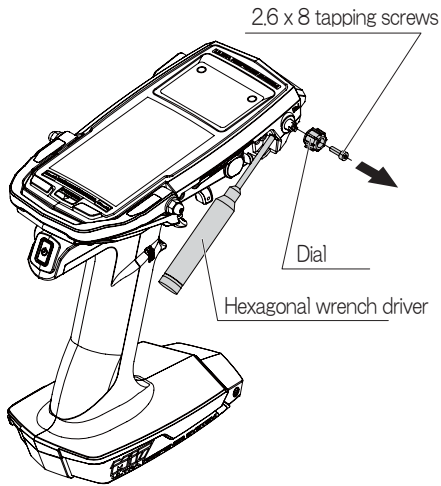


5) Attach the removed rear cover and dial shaft cover used as an accessory to the right position. (There are 2 types of dial shaft covers.)

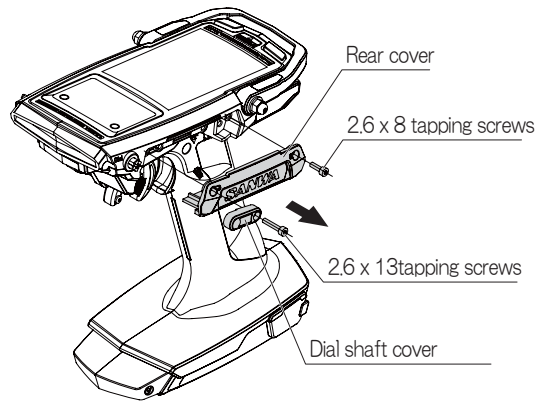
6) Fix the dial to the left position, connect the connector such that direction is correct and fix the steering unit.



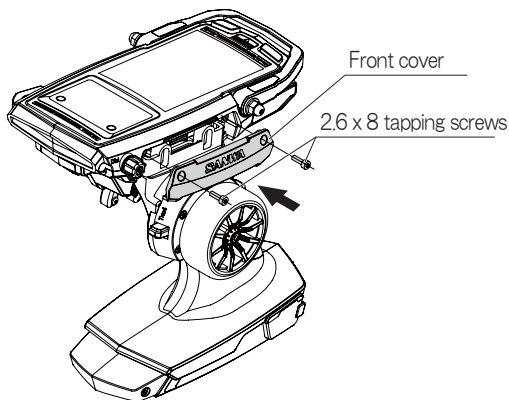
3) Fix the dial shaft using a hexagonal wrench driver (1.5 mm). Remove the screw that fixes the dial and remove the dial.



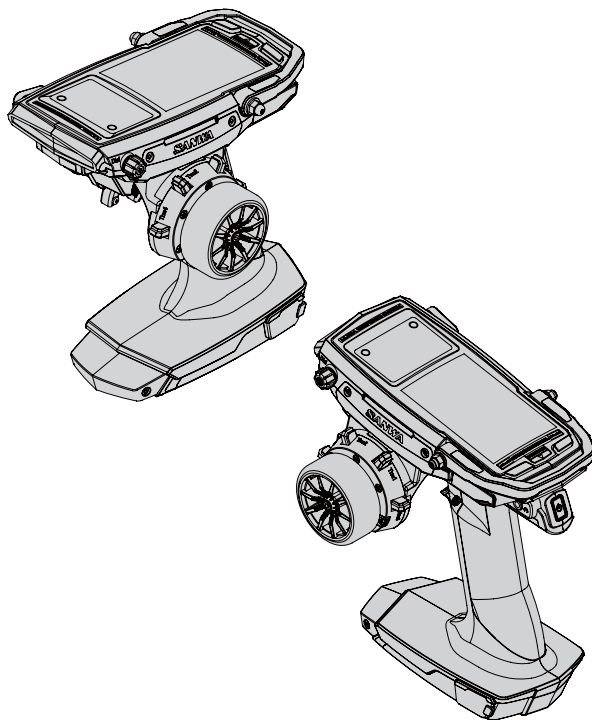
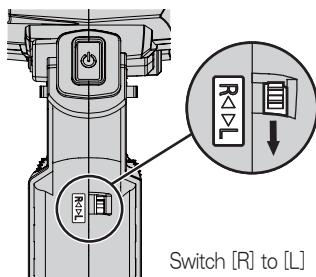
4) Remove 2 screws that fix the rear cover and dial shaft cover and remove the rear cover and dial shaft cover.



7) Fix the front cover. Left-right change switch is on the inner side of the grip pad. Hence, change the change switch from [R] to [L] and attach the grip pad.

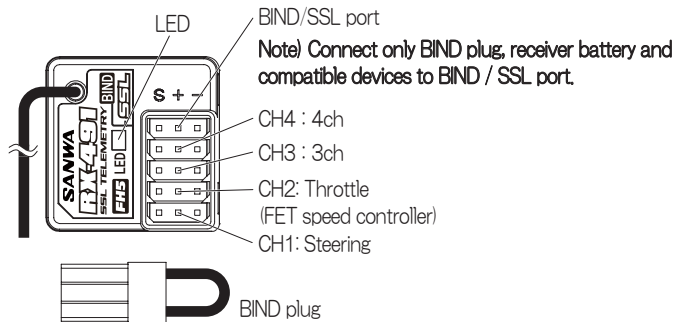


8) Change [HANDEDNESS] (left-right change menu) of [SETUP] of SYSTEM menu from [RIGHT] to [LEFT]. (P.96)



About Connection and Loading of Receiver

About Receiver



State of receiver LED

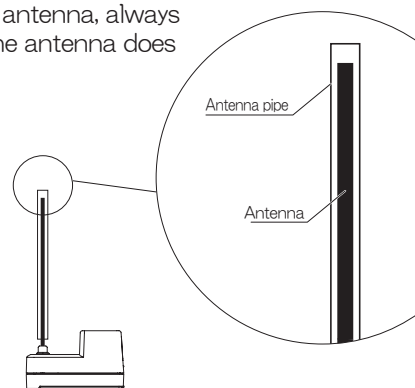
State of receiving electromagnetic waves	Blue light on
State of not being able to receive electromagnetic waves	—
During BIND (bind) setting	Blue light off, blue high-speed light off
Battery failsafe operation	Blue & red light on
State of not being able to receive electromagnetic waves after battery failsafe operation	Red light on

● About RX - 491

- RX - 491 can store 2 IDs. It can be combined with M17 having a matching position or setting such as endurance race etc. It can be operated with 2 bound transmitters based on storing IDs specific to 2 transmitters in the receiver. (Note: 2 transmitters cannot be operated simultaneously.) Compatible transmitter is only M17.
 - Neutral position of the throttle and operating volume may vary depending on the transmitter. The set value of the transmitter may not be the same as per combination of the bound transmitter. Adjust using the transmitter that matches with the linkage of the car.
 - Connect the compatible device to SSL port in case of changing the setting of SSL compatible device in real time by using CODE AUX of M17.
 - Always do the failsafe setting by the respective transmitter.
 - Do the same setting for RF MODE and response mode of 2 M17 to be bound. Binding by 2 transmitters is not done if they do not have the same setting.
- ※ If transmitter having different setting is bound as a 2nd transmitter, ID (identification number) of M17 bound to the 1st transmitter gets deleted and overwritten.
- ※ ID of the 1st M17 gets deleted if binding of the 3rd transmitter is done.

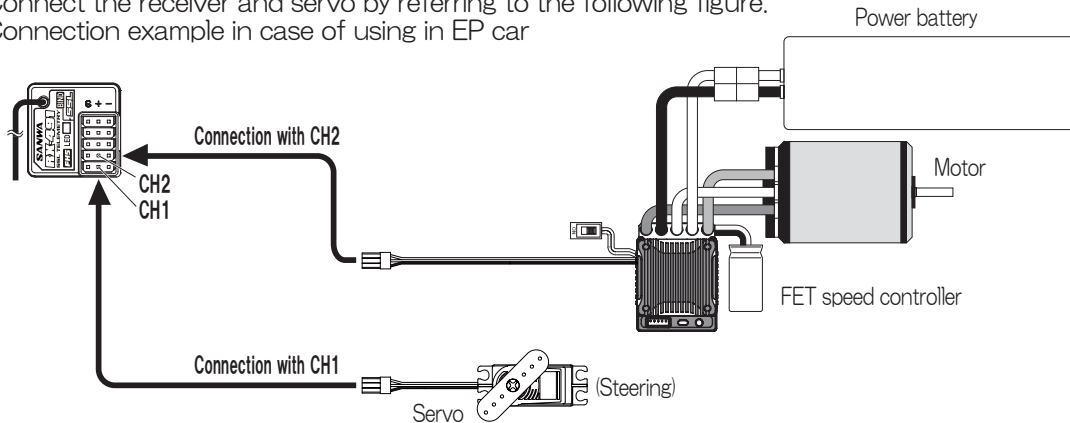
About Handling of Antenna

- Reception distance varies depending on the location at which receiver and antenna are loaded.
- As shown in the figure on the right, in order to protect the antenna, always insert the antenna into the antenna pipe such that tip of the antenna does not come out from the external part of the antenna pipe.
- Do not ever bend the antenna as it may break internally.
- Do not unnecessarily pull the antenna. It may cause damage to the internal parts of the receiver.
- At the time of loading onto the RC car, arrange the antenna at the highest possible position.
- Do not cut or tie the antenna as this may cause lowering of the reception sensitivity.
- Erect the antenna of the receiver vertically, away from the motor and FET speed controller (including wiring).

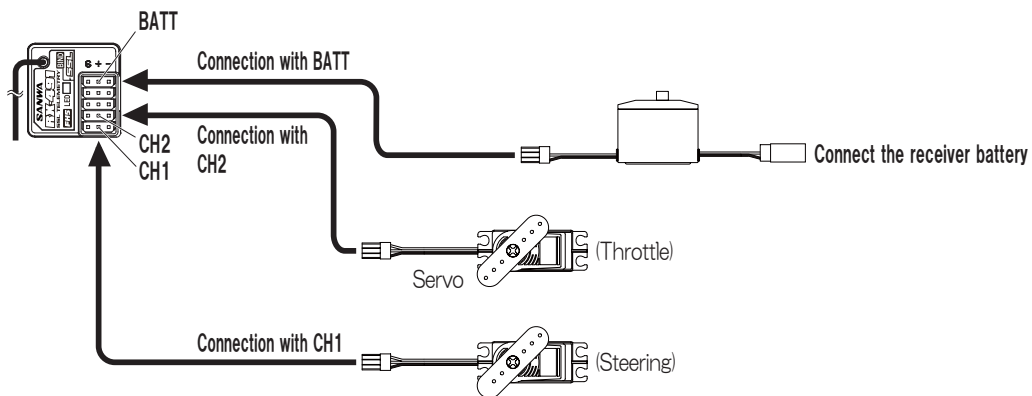


About connection

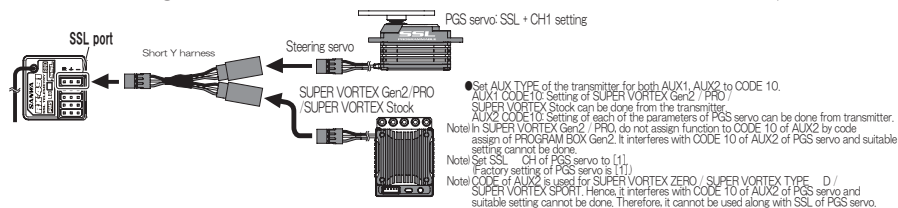
- Connect the receiver and servo by referring to the following figure.
- Connection example in case of using in EP car



- Connection example in case of using in GP (engine) car

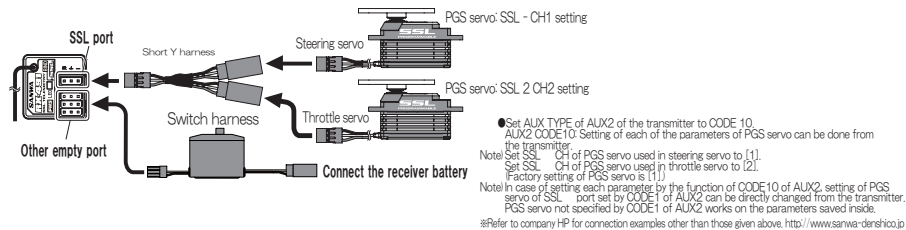


■ Case of connecting PG servo and SUPER VORTEX Gen2/PRO/SUPER VORTEX Stock to SSL port



- Set AUX TYPE of the transmitter for both AUX1, AUX2 to CODE 10.
- AUX1 CODE 10: Setting of SUPER VORTEX Gen2 / PRO
- SUPER VORTEX Stock can be done from the transmitter.
- Note In SUPER VORTEX Gen2 / PRO, do not assign function to CODE 10 of AUX2 by code assign of PROGRAM BOX Gen2. It interferes with CODE 10 of AUX2 of PGS servo and suitable setting cannot be done.
- Note Set SSL - CH1 of PGS servo to [1].
- Factory setting of PGS servo is [1].
- Note CODE of AUX2 is used for SUPER VORTEX ZERO / SUPER VORTEX TYPE - D / SUPER VORTEX S (SPL) - Hence, it interferes with CODE 10 of AUX2 of PGS servo and suitable setting cannot be done. Therefore, it cannot be used along with SSL of PGS servo.

■ Case of connecting PGS servo to 2 SSL ports



- Set AUX TYPE of AUX2 of the transmitter to CODE 10.
- AUX2 CODE 10: Setting of each of the parameters of PGS servo can be done from the transmitter.
- Note Set SSL - CH1 of PGS servo used in steering servo to [1].
- Set SSL - CH2 of PGS servo used in throttle servo to [2].
- Factory setting of PGS servo is [1].
- Note In case of setting each parameter by the function of CODE 10 of AUX2, setting of PGS servo of SSL - port set by CODE1 of AUX2 can be directly changed from the transmitter.
- PGS servo not specified by CODE1 of AUX2 works on the parameters saved inside.
- ※Refer to company HP for connection examples other than those given above. <http://www.sanwa-denshio.jp>

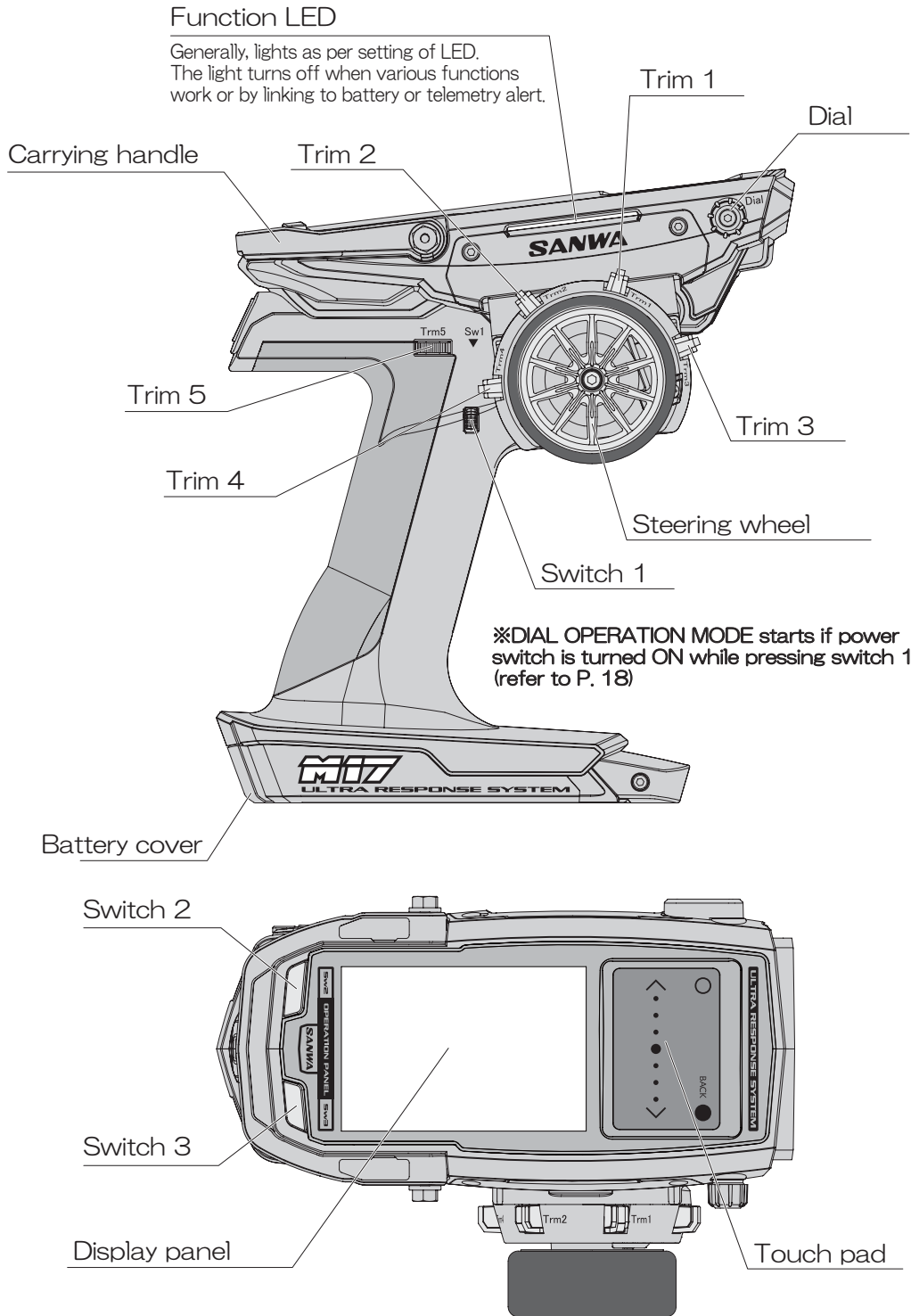
Caution

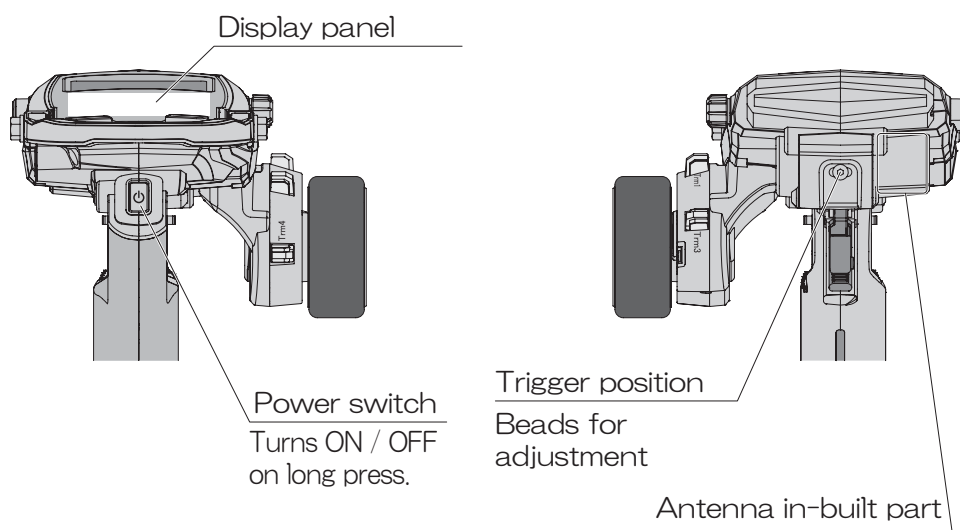
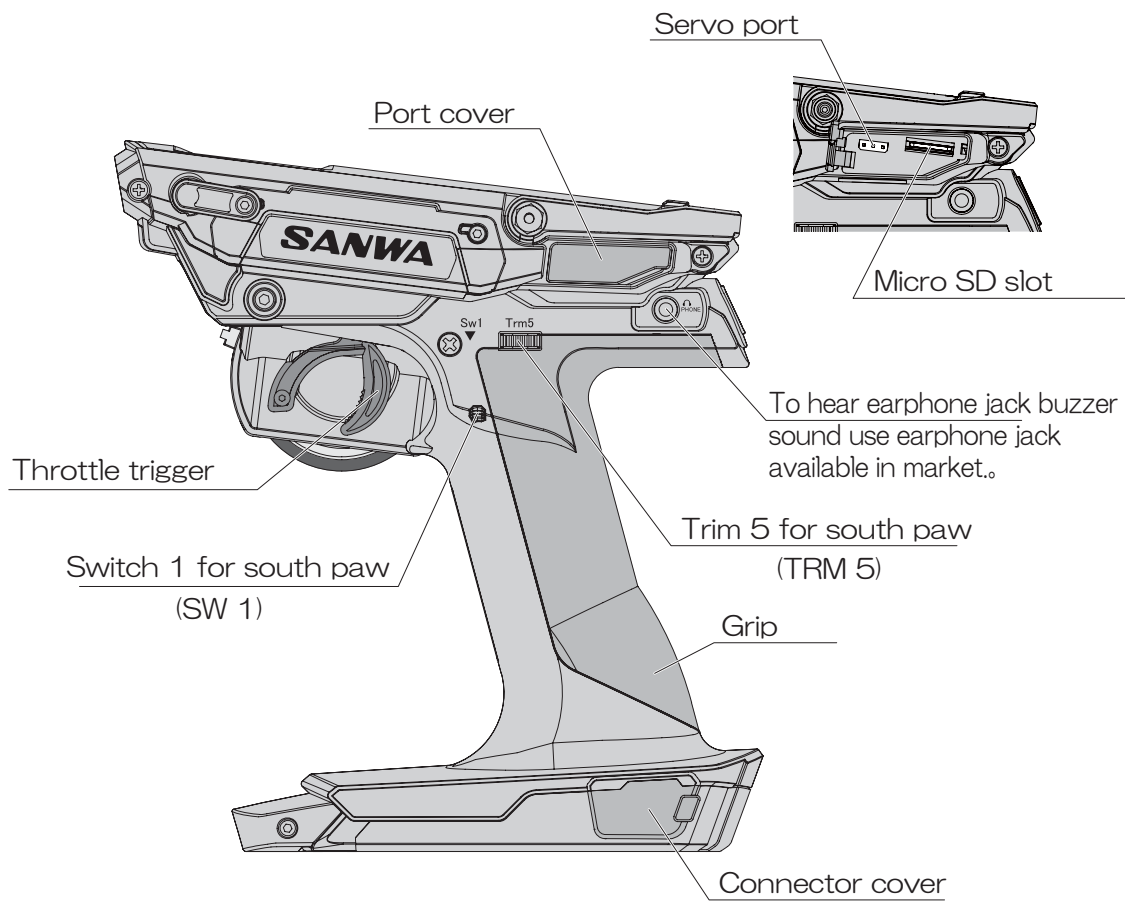
- There is risk of explosion if the connector slips out due to vibrations during running. Firmly connect the connector of receiver, servo and switch.
- Take proper anti-vibrations / waterproof measures since the receiver has poor resistance to vibrations, impact and water. There is risk of explosion if proper measures are not taken.
- Mount the receiver away from carbon chassis and metal chassis.
- If metal parts loaded onto RC car touch each other, noise is generated which affects the reception efficiency adversely and it may cause explosion.
- Always attach a noise killer condenser in the brush motor used for generator RC car.
- Noise is generated which may cause explosion if noise killer condenser is not attached.
- Use SANWA genuine pro parts such as transmitter, receiver, servo, FET speed controller, transmitter battery etc.

※The company does not bear any responsibility for any damage occurred due to use, reconstruction, adjustment or part replacement with parts other than SANWA genuine parts.

Name of Various Parts of Transmitter

Name of Various
Parts of Transmitter



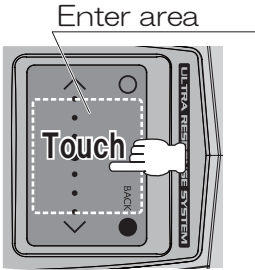
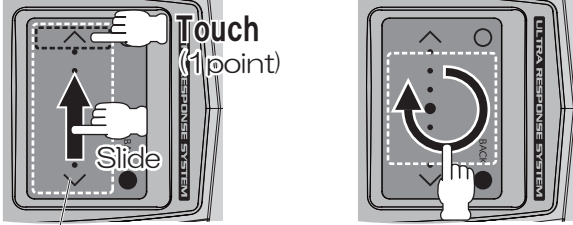
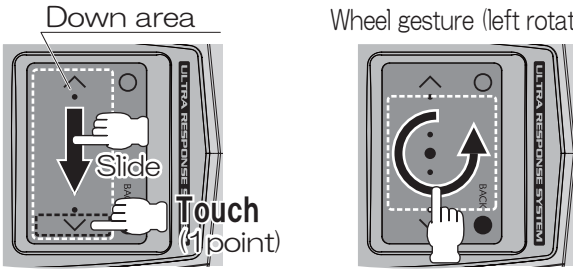
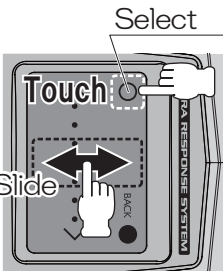
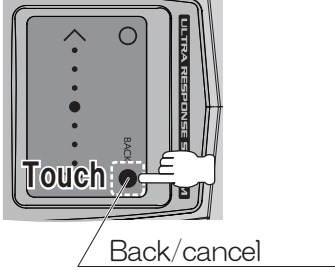


Name of Various Parts of Transmitter

How to use each feature

Operation of TouchPad

● Setting, calling can be easily done by the gesture operation of touchpad.

Gesture operation	Name	Operation
 <p>Enter area</p>	Enter	<ul style="list-style-type: none"> ● Perform enter operation by touching such that enter area is lightly tapped by the fingertip. ● Move from the top screen to setting screen. • Select function and items to be set. • The set value returns to an initial value by long press. <p>☆ [Trim 4] down operation in DIAL OPERATION MODE</p>
 <p>Up area</p> <p>Touch (1 point)</p> <p>Slide</p> <p>Wheel gesture (right rotation)</p>	Up	<ul style="list-style-type: none"> ● Perform up operation by sliding up the area by finger. ● The set value increases by 1 point each by touching such that black framed 1-point area is tapped. ○ The set value increases by wheel (right rotation) gesture during changing the set value. • Cursor moves to the upward direction. • The set value increases. <p>☆ [DIAL] operation in DIAL OPERATION MODE</p>
 <p>Down area</p> <p>Slide</p> <p>Touch (1 point)</p> <p>Wheel gesture (left rotation)</p>	Down	<ul style="list-style-type: none"> ● Perform down operation by sliding down area by finger. ● The set value decreases by 1 point each by touching such that black framed 1-point area is tapped. ○ The set value decreases by wheel (left rotation) gesture during changing the set value. • Cursor moves to the downward direction. • The set value decreases. <p>☆ [DIAL] operation in DIAL OPERATION MODE</p>
 <p>Select</p> <p>Touch</p> <p>Slide</p>	Select	<ul style="list-style-type: none"> ● Perform select operation of channel or function by touching such that select area is lightly tapped by the fingertip. ※ The cursor can be moved to left or right by quickly sliding the black framed part to left or right. • Select channel or function. • The set value increases. ※ Change the operation position of select and back / cancel by setting to left (left-handedness). <p>☆ [SW2] operation in DIAL OPERATION MODE</p>
 <p>Back/cancel</p>	Back/cancel	<ul style="list-style-type: none"> ● Perform back/cancel the operation by touching such that the back / cancel area is lightly tapped by the fingertip. • Returns to the previous state. • Cancels setting. ※ Change the operation position of select and back / cancel by setting to left (left-handedness). <p>☆ [Trim 4] up operation in DIAL OPERATION MODE</p>

How to use each feature